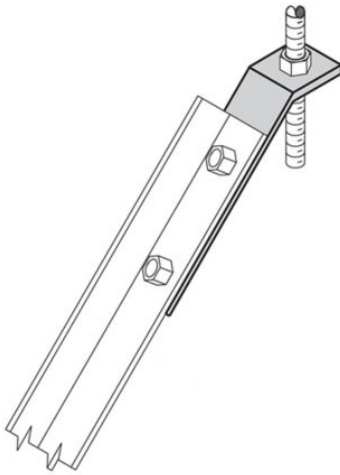


Eaton SB2307AYZ

Catalog Number: SB2307AYZ

Eaton auxiliary support kit, Aluminum, Support structure type: 2" X 9/16", Yellow zinc, Double diagonal brace kit



General specifications

Product Name	Catalog Number
Eaton auxiliary support kit	SB2307AYZ
UPC	Product Length/Depth
799038020868	2 in
Product Height	Product Width
2 in	0.562 in
Product Weight	Certifications
9.7 lb	Not Applicable

Product specifications

Model

Double diagonal brace kit

Material

Steel

Size

Support structure type 2 in x 9/16 in

Finish

Yellow zinc chromate

Resources

Catalogs

[auxillary supports](#)

Specifications and datasheets

[Eaton Specification Sheet - SB2307AYZ](#)



Eaton Corporation plc
Eaton House
30 Pembroke Road
Dublin 4, Ireland
Eaton.com
© 2023 Eaton. All Rights Reserved.

Eaton is a registered trademark.

All other trademarks are property of their respective owners.



[Eaton.com/socialmedia](https://www.eaton.com/socialmedia)